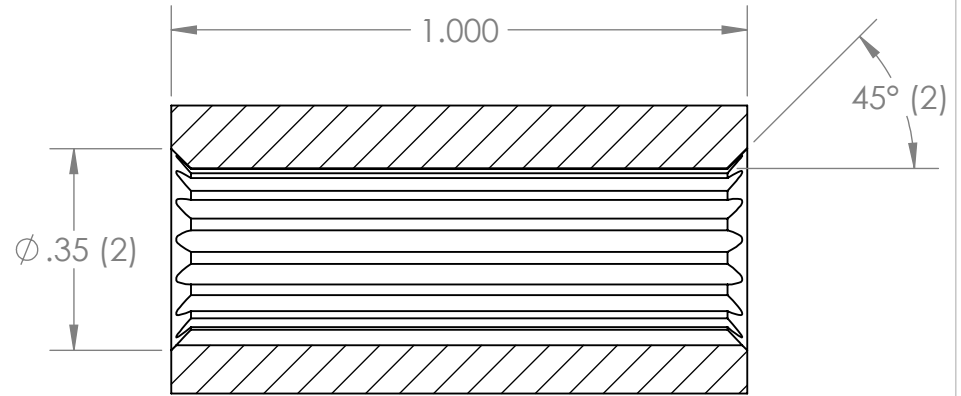
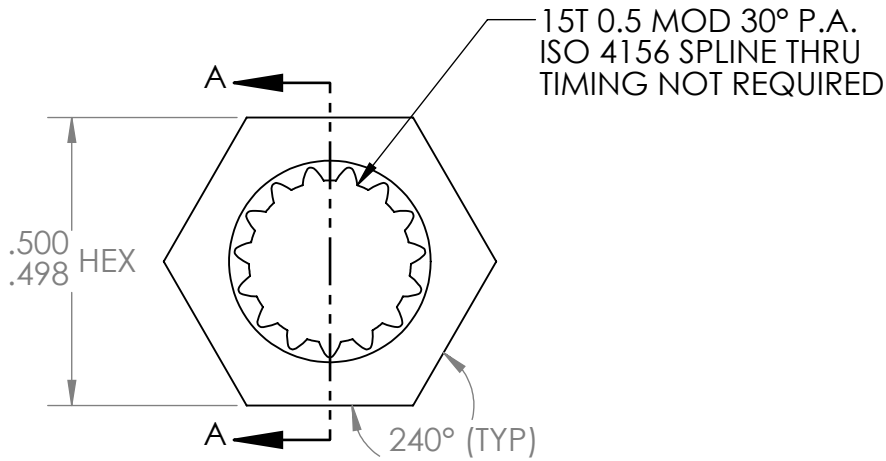
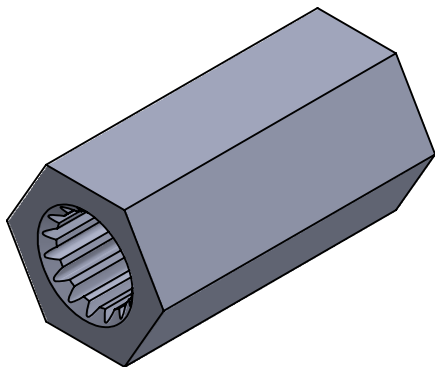



REVISION HISTORY			
REV.	DESCRIPTION	DATE	DRAWN BY
1	ORIGINAL PRINT	6/9/2025	A. GUPTA



SECTION A-A

*** SEE CAD FOR ADDITIONAL TOOLPATH INFO***



UNLESS OTHERWISE SPECIFIED:		COMMENTS:			
DIMENSIONS ARE IN INCHES		DUAL DIMENSIONS ARE IN MILLIMETERS.			
TOLERANCES:		BREAK ALL SHARP EDGES		TITLE:	
FRACTIONAL	±1/16			KRAKEN SPLINE 500	
ANGULAR: MACH	±1°			HEX ADAPTER LONG	
ANGULAR: BEND	±5°			SIZE	DWG. NO.
ONE PLACE DECIMAL	±0.1			A	am-5687_long
TWO PLACE DECIMAL	±0.01			SCALE: 3:1	WEIGHT:
THREE PLACE DECIMAL	±0.005			SHEET 1 OF 1	
FOUR PLACE DECIMAL	±0.0005				
MATERIAL	4140 STEEL	CHECKED	NAME	DATE	REV
FINISH	DEBURRED ZINC PLATED	ENG APPR.	PY	8/13/25	1
DO NOT SCALE DRAWING		MFG APPR.			
		Q.A.			